

ARCOMORA

ARDUINO CONTROLLED MODEL RAILWAY

Arcomora.wordpress.com

How to flash the bootloader of an Arduino

Sometimes the bootloader of an Arduino gets corrupted.

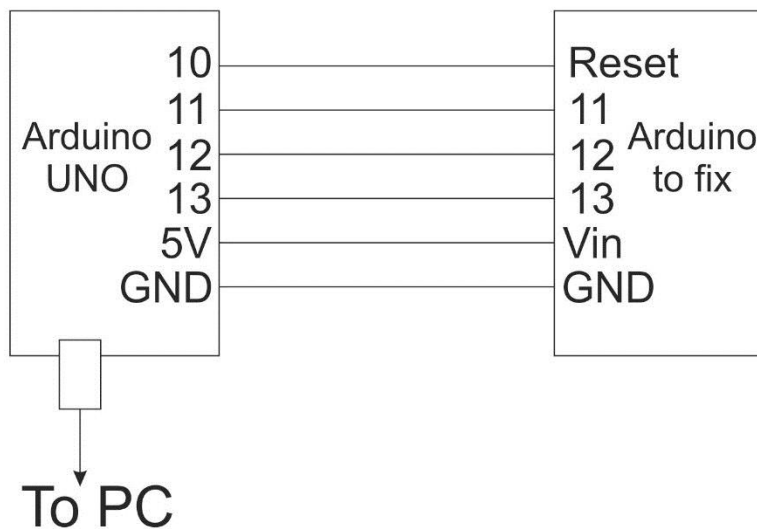
This can be fixed by flashing its bootloader with the bootloader of a correct working Arduino UNO.

It works for an UNO, Nano and Pro Mini.

You can also use this method to enlarge the available program space on a Nano

How do you do that:

1. Connect the Arduino UNO to the Arduino to be fixed as follows.



For an UNO connect both 5V pins!

2. Start the Arduino IDE and open: Files→ Examples→ ArduinoISP
3. Select:
Tools→ Board → Arduino/Genuino UNO
Tools→ Com port → com port to which UNO is connected
Tools→ Programmer → Arduino as ISP
4. Upload the sketch to the UNO
5. Start: Tools→Burn bootloader
6. The bootloader is now loaded onto the 'Arduino to fix'.
It takes a very short time. Check the green bar on the bottom of the screen.

Please NOTE:

When using the IDE to upload a sketch to a fixed Arduino the board type must be set to: Arduino/Genuino UNO.

More info on bootloaders:

<https://www.baldengineer.com/arduino-bootloader.html>